

BAR CODE SCANNERS

Maximum Productivity at an Affordable Price

The LS 2208AP handheld laser bar code scanner from Symbol Technologies delivers performance features at an affordable price to make your buying decision easier than ever before. If you're seeking great value in a small, lightweight scanner, then the LS 2208AP is ideal for you.

From the checkout line to the back room, the LS 2208AP helps you make the most of your application-specific solution in a variety of ways including:

- ▶ **Retail:** Point of sale, in store inventory tracking
- ▶ **Healthcare:** Pharmacy, inventory control
- ▶ **Light Industrial:** manufacturing, light assembly

Transform Your Retail, Healthcare and Light Industrial Applications

Adding bar code scanning to your application-specific solution is convenient and flexible using the LS 2208AP. Multiple interfaces on board (including keyboard wedge) enable you to connect the LS 2208AP to virtually any type of host. Universal cables from Symbol allow you to upgrade your scanner without changing the cables, which saves you money. And the sleek ergonomic design of the LS 2208AP ensures maximum user productivity. With all these features, the LS 2208AP is the ideal solution for many of your retail, healthcare and light industrial applications.

Create a More Productive Environment

The high-value LS 2208AP handheld scanner offers a host of features at an economical price. Ease of use, performance and affordability combine to provide you with a powerful productivity tool. When you choose an LS 2208AP, you receive the added assurance of purchasing from Symbol—a company with proven solutions and millions of scanner installations worldwide.

For more information, contact us at +1.631.738.9600 or +65.6796.9600, or visit us on the web at:

www.symbol.com/ls2208ap



Features	Benefits
Multiple interfaces on board	Ensures flexible connectivity, allowing for host "future proofing"
Fast performance at 100 scans per second	Increased productivity resulting in shorter checkout lines and better customer service
Reduced Space Symbology® (RSS)	Compatible with emerging symbology to leverage your hardware investment
Advanced Data Formatting (ADF) enables users to modify data prior to sending to host computer	Eliminates costly modifications to the host software
Universal cables	Shares cabling with other Symbol scanners for easy replacement and/or upgrades
Bright LED and beeper with adjustable volume	Multiple modes of confirmation ensure positive user feedback
Flash memory	Facilitates updates/customization of product in the field
Hands-free Intellistand™ (optional)	Enables presentation scanning and easy switching between hands-free and handheld modes
Ergonomic design	Reduces user fatigue with sleek, balanced form for maximum comfort and productivity

LS 2208AP Specification Highlights

Physical Characteristics

Dimensions:	6 in. H x 2.5 in. W x 3.34 in. D 15.2 cm H x 6.3 cm W x 8.4 cm
Weight:	5.15 oz./146 gm
Voltage:	5 volts +/- 10%
Operating Current:	130 mA typical, 175 mA max
Stand-by Current (USB suspend current):	<500mA
Power Sources:	Host power or external power supply (power supply or battery box)
Color:	Cash Register White

Performance Characteristics

Scanner Type:	Bi-directional
Light Source:	650 nm visible laser diode
Scan Rate:	100 scans per second typical
Nominal Working Distance:	From contact to 8in. /20 cm on 100% U.P.C./EAN symbols
Print Contrast:	20% minimum reflective difference
Roll (Tilt): ¹	+/- 30 degrees
Pitch: ²	+/- 65 degrees
Skew (Yaw): ³	+/- 60 degrees
Decode Capability:	UPC, EAN, UPC, EAN with Supplementals, UCC, EAN 128, Code 39, Code 39 Full ASCII, Code 39 Trioptic, Code 128, Code 128 Full ASCII, Codabar (NW7), Interleaved 2 of 5, Discrete 2 of 5, Code 93, MSI, Code 11, Bookland EAN, IATA, RSS variants, Chinese 2 of 5
Interfaces Supported:	Undecoded, RS232, Keyboard Wedge, Wand Emulation, USB, and Synapse

User Environment

Operating Temperature:	32° to 122° F/0° to 50° C
Storage Temperature:	-40° to 158° F/-40° to 70° C
Humidity:	5% to 95% relative humidity, noncondensing
Drop Specifications:	Unit functions normally after repeated 5 ft./1.5 m drops to concrete
Ambient Light Immunity:	Immune to direct exposure of normal office and factory lighting conditions, as well as direct exposure to sunlight
Electrostatic Discharge:	Conforms to 15 kV air discharge and 8 kV of contact discharge

Accessories

Hands-Free Intellistand™:	20-61019-01
---------------------------	-------------

Regulatory

Electrical Safety:	Certified to UL1950, CSA C22.2 No. 950, EN60950/IEC950
EMI/RFI:	FCC Part 15 Class B, ICES-003 Class B, European Union EMC Directive, Australian SMA, Taiwan EMC, Japan VCCI/MITI/Dentori.
Laser Safety:	CDRH Class II, IEC Class 2

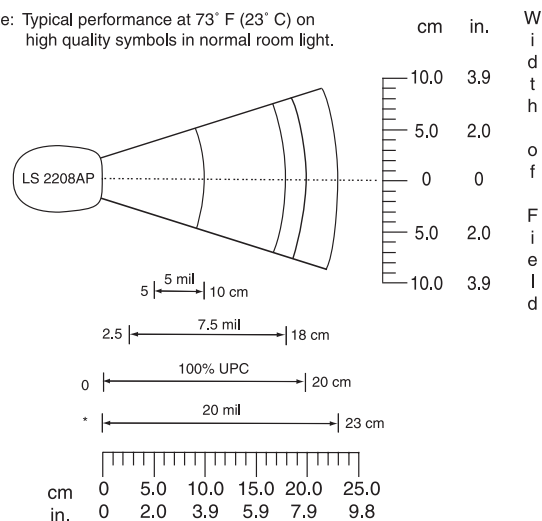
Warranty

The LS 2208AP is warranted against defects in workmanship and materials for a period of 2 years (24 months) from date of shipment, provided that the product remains unmodified and is operated under normal and proper conditions. See full warranty for details.



LS 2208AP Decode Zone

Note: Typical performance at 73° F (23° C) on high quality symbols in normal room light.



Depth of Field

*Minimum distance determined by symbol length and scan angle

- Roll (Tilt): Controlled by rotating the wrist clockwise or counterclockwise
- Pitch: Controlled by dropping or raising the wrist
- Skew (Yaw): Controlled by rotating the wrist from left to right or vice versa

Specifications are subject to change without notice. Symbol® is a registered trademark of Symbol Technologies, Inc. All other trademarks and service marks are proprietary to their respective owners.

For system, product or services availability and specific information within your country, please contact your local Symbol Technologies office or Business Partner.



BUSINESS PARTNER

Corporate Headquarters
Symbol Technologies, Inc.
 One Symbol Plaza
 Holtsville, NY 11742-1300
 TEL: +1.800.722.6234/+1.631.738.2400
 FAX: +1.631.738.5990

For Asia Pacific Area
Symbol Technologies Asia, Inc.
 (Singapore Branch)
 Asia Pacific Division
 230 Victoria Street #05-07/09
 Bugis Junction Office Tower
 Singapore 188024
 TEL: +65.6796.9600
 FAX: +65.6337.6488

For Europe, Middle East and Africa
Symbol Technologies
 EMEA Division
 Symbol Place, Winnersh Triangle
 Berkshire, England RG41 5TP
 TEL: +44.118.9457000
 FAX: +44.118.9457500

For North America, Latin America and Canada
Symbol Technologies
 The Americas
 One Symbol Plaza
 Holtsville, NY 11742-1300
 TEL: +1.800.722.6234/+1.631.738.2400
 FAX: +1.631.738.5990

Symbol Website
 For a complete list of Symbol subsidiaries and business partners worldwide contact us at:
www.symbol.com
 Or contact our pre-sales team at:
www.symbol.com/sales



LS2208AP 11/03

Part No. LS2208 Printed in USA 11/03 © Copyright 2003 Symbol Technologies, Inc. All rights reserved. Symbol is an ISO 9001 and ISO 9002 UKAS, RVC, and RAB Registered company, as scope definitions apply.

